

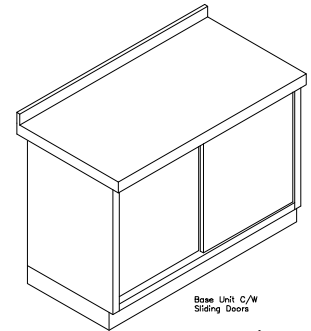
## EDEN RANGE FLOOR & WALL CUPBOARDS AND WALL SHELVES

### Floor Cupboards

These popular stainless steel base units from Corsair match the Derwent range of sinks and wall benches. Choice of open, hinged or sliding doors, drawers etc. make this an extremely versatile range to suit the modern commercial kitchen. As a special, two base units could be supplied with one top to give a continuous run. Available in three lengths, 900mm, 1200mm, and 1500mm and 2 depths, 600mm and 650mm. Height from floor to working surface: 870/910mm. Units without drawers have an intermediate shelf.

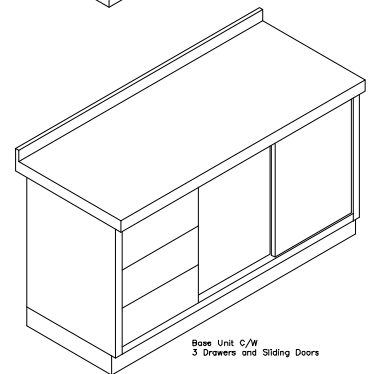
#### 900mm Base Units

Model No.	Depth	Description
CHS9600	600mm	Open unit with shelf
CHS9650	650mm	900mm long x 870/910mm high
CHS9602	600mm	Cupboard with 2 hinged doors
CHS9652	650mm	900mm long x 870/910mm high



#### 1200mm Base Units

Model No.	Depth	Description
CHS12600	600mm	Open unit with shelf
CHS12650	650mm	1200mm long x 870/910mm high
CHS12602H or S	600mm	Cupboard with 2 doors – hinged or sliding
CHS12652H or S	650mm	1200mm long x 870/910mm high
CHS12606	600mm	Cupboard with 3 drawers one side & 1 hinged door
CHS12656	650mm	1200mm long x 870/910mm high



#### 1500mm Base Units

Model No.	Depth	Description
CHS15600	600mm	Open unit with shelf
CHS15650	650mm	1500mm long x 870/910mm high
CHS15602H or S	600mm	Cupboard with doors - 3 hinged or 2 sliding
CHS15652H or S	650mm	1500mm long x 870/910mm high
CHS15606H or S	600mm	Cupboard with 3 drawers one side and 2 doors – hinged or sliding
CHS15656H or S	650mm	1500mm long x 870/910mm high



### FOR OPTIONAL EXTRAS SEE PAGE 12

### Janitorial/Cleaning and COSHH Cupboards

Model No.	Depth	Description
CHS965J	650mm	Cleaners Cupboard - sink bowl + 3 shelves + 2 doors 900mm long x 1800mm high
CHS965C	650mm	COSHH Cupboard - base + 3 shelves + 2 lockable doors 900mm long x 1800mm high

