



# CORSAIR



## Dart Bar Systems



*The flexibility of modular with the class of custom-built*

## Corsair

*A Proud British Manufacturer of Commercial Catering Equipment*

CORSAIR ENGINEERING LTD., BEAUMONT CLOSE,  
BEAUMONT INDUSTRIAL ESTATE, BANBURY, OXON. OX16 1SH

Telephone: 0044 (0)1295 267021 Fax: 0044 (0)1295 270396

E-mail: [info@corsairengineering.co.uk](mailto:info@corsairengineering.co.uk)

[www.corsairengineering.co.uk](http://www.corsairengineering.co.uk)



# DART BAR SYSTEMS

*The flexibility of modular with the class of custom-built*

Making the most efficient use of space and maximising the flow of drinks and profit.

## *The Workstation Concept*

Talking about workstations in bar design may seem dry and impersonal but they are the key to improved customer satisfaction through constant customer contact, fast and personal service and minimal delay in getting the customers what they are there for – a drink!

Workstations are also the key to improved profitability – the more drink you serve, the more money you make.

In any given hotel or nightclub or pub, there will be several different activities taking place behind the bar – serving beer (bottled and draught), making cocktails and mixing drinks, glasswashing etc. If we make each one of these as efficient as possible and as compact as possible, then we have a great opportunity to achieve the highest levels of customer satisfaction with the speed and quality of your service.

Alongside a range of standard sizes and configurations, Corsair's unique design and manufacturing facilities offer custom-built solutions to exactly match your operations.



*Hermitage Bar & Restaurant, Hitchin - Anglian Country Inns  
Photo courtesy of Roland Allen, Luton*

## *Cocktail Stations*

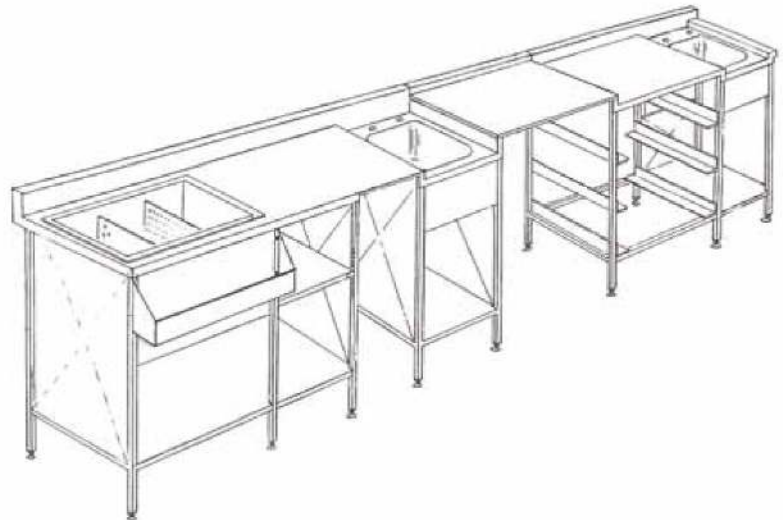
A Cocktail Station generally comprises a work surface, glass storage, a rubbish bin, a blender station and an ice chest with speed rail and easy-to-access condiments to put the finishing touches to the drink. All the items required are with a 1m stretch of the barman.

Whilst offering a range of standard sizes and configurations, we know that no two bars are the same and so have the ability to tailor-make a cocktail station to perfectly meet your needs.

	Model No.	Length (mm)	Shelf Unit (mm)	Ice Chest (mm)	Bin (mm)	Blender Station (mm)
	DCS1700	1700	400	400	400	500
	DCS2100	2100	600	600	400	500
	DCS2500	2500	800	800	400	500
	DCS2700	2700	1000	800	400	500



Hermitage Bar & Restaurant, Hitchin - Anglian Country Inns  
Photo courtesy of Roland Allen, Luton



## Beer Stations

If serving primarily draught beer, the Beer Station is obviously about glass storage and the speed of access for the customer, but also about the need to accommodate the beer pumps and a good drainage facility for the drips and spills.

If serving bottled beers, then there is the additional need for access to bottles without always turning your back on the customer. The best way to achieve this is to incorporate a top-loading bottle cooler into the underbar run.

	Model No.	Length (mm)	Perforated Top Shelf Unit (mm)	Recessed Beer Station (mm)	Shelf Unit (mm)
	DBS1800	1800	600	600	600
	DBS2000	2000	600	800	600
	DBS2400	2400	800	800	800

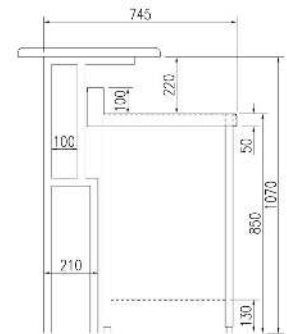
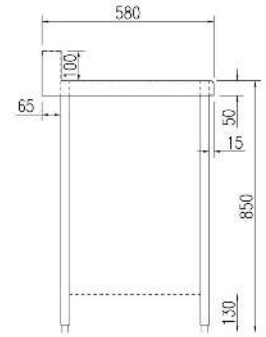
## Glasswasher Stations

These are designed to offer an efficient way of using front-loading glasswashers in the bar environment. It is possible to have as much or as little glass storage as you need – on shelves or in glasswasher baskets.

	Model No.	Length (mm)	Sink (mm) (optional cupboard)	Void	Basket Rack
	DBS1100	1100	500	600m Glasswasher with drainer top w/perforated trays	
	DBS1610	1610	500	600m Glasswasher with drainer top w/perforated trays	510

## Optional Extras

Description
Bar Support - adjustable
Basket Rack 445mm/505mm/555mm
Blender shelf – 450mm
Bottle Opener (incl catcher)
Condiment Set
Cupboard under existing sink - up to 800mm
Drawer – under plain worktop (1/1 GN)
Half-height panels up to 800mm
Ice Chest Cover up to 800mm
Perforated drainer top in place of existing plain top – up to 800mm
Plain Bridge and Bottle Skip – 600mm
Speed Rail – 400mm
Speed Rail – 600mm
Speed Rail – 800mm
Speed Rail – Double 400mm
Speed Rail – Double 600mm
Speed Rail – Double 800mm
Welded-in Ice Chest



## Dart Mobile Bar Solutions

If your main bar is over-crowded or you need to create additional cost-effective serving points, this may be the solution.

Designed to deliver a remote POS, enhance drink sales and profit, we make the bar to suit you and your customers.

As well as 1-piece mobile bars, we offer a range of modular sections that combine to create an operational bar but dismantle for easy storage and re-location.

Call our design team to discuss your requirements.

